

LINEAR-6 ELITE+

The Elite+ range has enhanced performance, light distribution, and functionality. Improvements are in part made through the placement of supplemental yellow LEDs in each of the lights, which can either combine with the white light high beam function for night-time visibility at a slightly softer, more relaxing colour temperature. Or the option to operate the yellow LEDs on their own, with that light angled slightly down and to the sides of the road or track making this function ideal in snow, fog, or dust conditions. The lights are intended to cycle through the different lighting modes via a momentary switch. The lighting modes are: Boost (white only), Combo (white + yellow), Snow/Fog/Dust Mode (yellow only), and Low output Mode (white only).



LINEAR-6 ELITE+

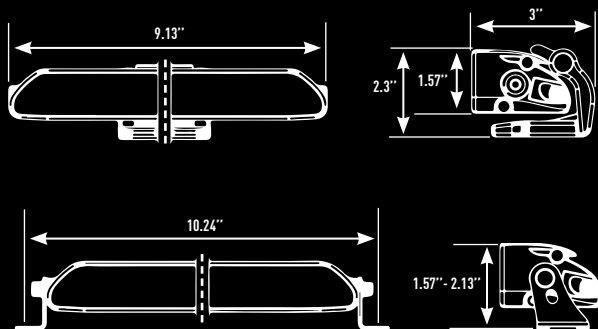
- Combination of highly efficient white (5000k) and PC-yellow LEDs.
- Features pre-wired male/female 2-pin Econoseal and 3-pin Superseal connectors.
- Two-Lamp and One-Lamp Wiring Kit available (Momentary switch facilitates switching lighting modes).
- Memory function recalls preferred lighting mode without needing to re-select each journey.
- Includes Anti-Theft Side Mounting Kit.
- CAE optimised heatsink offers improved thermal dynamics.
- Anodised pre-treatment and Automotive grade powder top-coat for corrosion and chemical protection.
- Electronic thermal management system optimises light output to preserve longevity of the LEDs.
- 'Unbreakable' and hardcoated polycarbonate lens
- Designed & manufactured in the UK



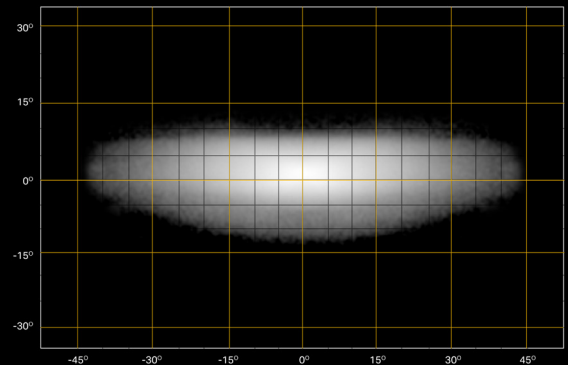
	WHITE LED'S (BOOST/E-MARK)	YELLOW LED'S	COMBO
VOLTAGE RANGE	10V - 32V	10V - 32V	10V - 32V
COLOUR TEMPERATURE	5000K	PC YELLOW	N/A
WARRANTY	5 YEAR	5 YEAR	5 YEAR
LED LIFE †	50,000 HRS	50,000 HRS	50,000 HRS
WEIGHT	1.1 LBS	1.1 LBS	1.1 LBS
IP RATING	IP68	IP68	IP68
RAW LUMENS	5,100 / 2,500	2,000	7,100
EFFECTIVE LUMENS *	3,645 / 1,822	1,200	4,774
BEAM PATTERN	WIDE	WIDE	WIDE
NO. HIGH POWER LEDS	12 WHITE	6 YELLOW	12 WHITE / 6 YELLOW
POWER CONSUMPTION	48W / 24W	21W	69W
CURRENT DRAW (@ 14.4V)	3.6 A / 1.8 A	1.5A	5.1A

† - LED Manufacturers Specifications

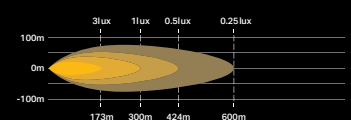
* - Driver FOV flux is a measure of effective lumens taking consideration of the amount of light in a driver's 'field-of-view' defined as an area +/- 45° left/right, and +/- 10° up/down.



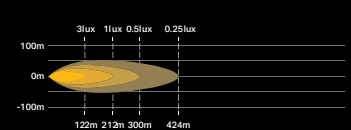
Horizontal Spread: 84° / Vertical Spread: 18°



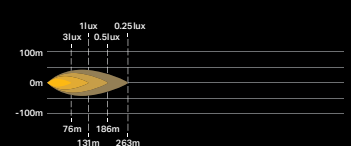
LINEAR-6 ELITE+ (WHITE ONLY) E-BOOST MODE



LINEAR-6 ELITE+ (WHITE ONLY) LOW OUTPUT MODE



LINEAR-6 ELITE+ (YELLOW ONLY) FOG / SNOW / DUST MODE



LINEAR-6 ELITE+ (WHITE AND YELLOW) COMBO MODE

