

LINEAR-18 ELITE+



The Elite+ range has enhanced performance, light distribution, and functionality. Improvements are in part made through the placement of supplemental yellow LEDs in each of the lights, which can either combine with the white light high beam function for night-time visibility at a slightly softer, more relaxing colour temperature. Or the option to operate the yellow LEDs on their own, with that light angled slightly down and to the sides of the road or track making this function ideal in snow, fog, or dust conditions. The lights are intended to cycle through the different lighting modes via a momentary switch. The lighting modes are: Boost (white only), Combo (white + yellow), Snow/Fog/Dust Mode (yellow only), and Low output Mode (white only).



LINEAR-18 ELITE+

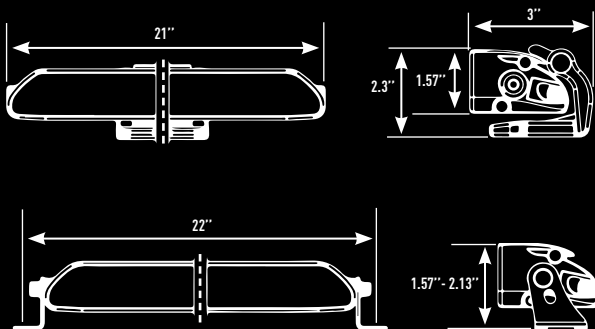
- Combination of highly efficient white (5000k) and PC-yellow LEDs.
- Features pre-wired male/female 2-pin Econoseal and 3-pin Superseal connectors.
- Two-Lamp and One-Lamp Wiring Kit available (Momentary switch facilitates switching lighting modes).
- Memory function recalls preferred lighting mode without needing to re-select each journey.
- Includes Anti-Theft Side Mounting Kit.
- CAE optimised heatsink offers improved thermal dynamics.
- Anodised pre-treatment and Automotive grade powder top-coat for corrosion and chemical protection.
- Electronic thermal management system optimises light output to preserve longevity of the LEDs.
- 'Unbreakable' and hardcoated polycarbonate lens
- Designed & manufactured in the UK



| | WHITE LED'S (BOOST/E-MARK) | YELLOW LED'S | COMBO |
|------------------------|-------------------------------|--------------|----------------------|
| VOLTAGE RANGE | 10V - 32V | 10V - 32V | 10V - 32V |
| COLOUR TEMPERATURE | 5000K | PC YELLOW | N/A |
| WARRANTY | 5 YEAR | 5 YEAR | 5 YEAR |
| LED LIFE † | 50,000 HRS | 50,000 HRS | 50,000 HRS |
| WEIGHT | 2.4 LBS | 2.4 LBS | 2.4 LBS |
| IP RATING | IP68 | IP68 | IP68 |
| RAW LUMENS | 14,850 / 4,455 | 6,150 | 21,000 |
| EFFECTIVE LUMENS * | 10,573 / 3,172 | 3,737 | 14,284 |
| BEAM PATTERN | WIDE | WIDE | WIDE |
| NO. HIGH POWER LEDS | 36 WHITE | 18 YELLOW | 36 WHITE / 18 YELLOW |
| POWER CONSUMPTION | 134W / 39W | 56W | 190W |
| CURRENT DRAW (@ 14.4V) | 9.9A / 2.7A | 4.1A | 14.1A |

† - LED Manufacturers Specifications

* - Driver FOV flux is a measure of effective lumens taking consideration of the amount of light in a driver's 'field-of-view' defined as an area +/- 45° left/right, and +/- 10° up/down.



Horizontal Spread: 84° / Vertical Spread: 20°

